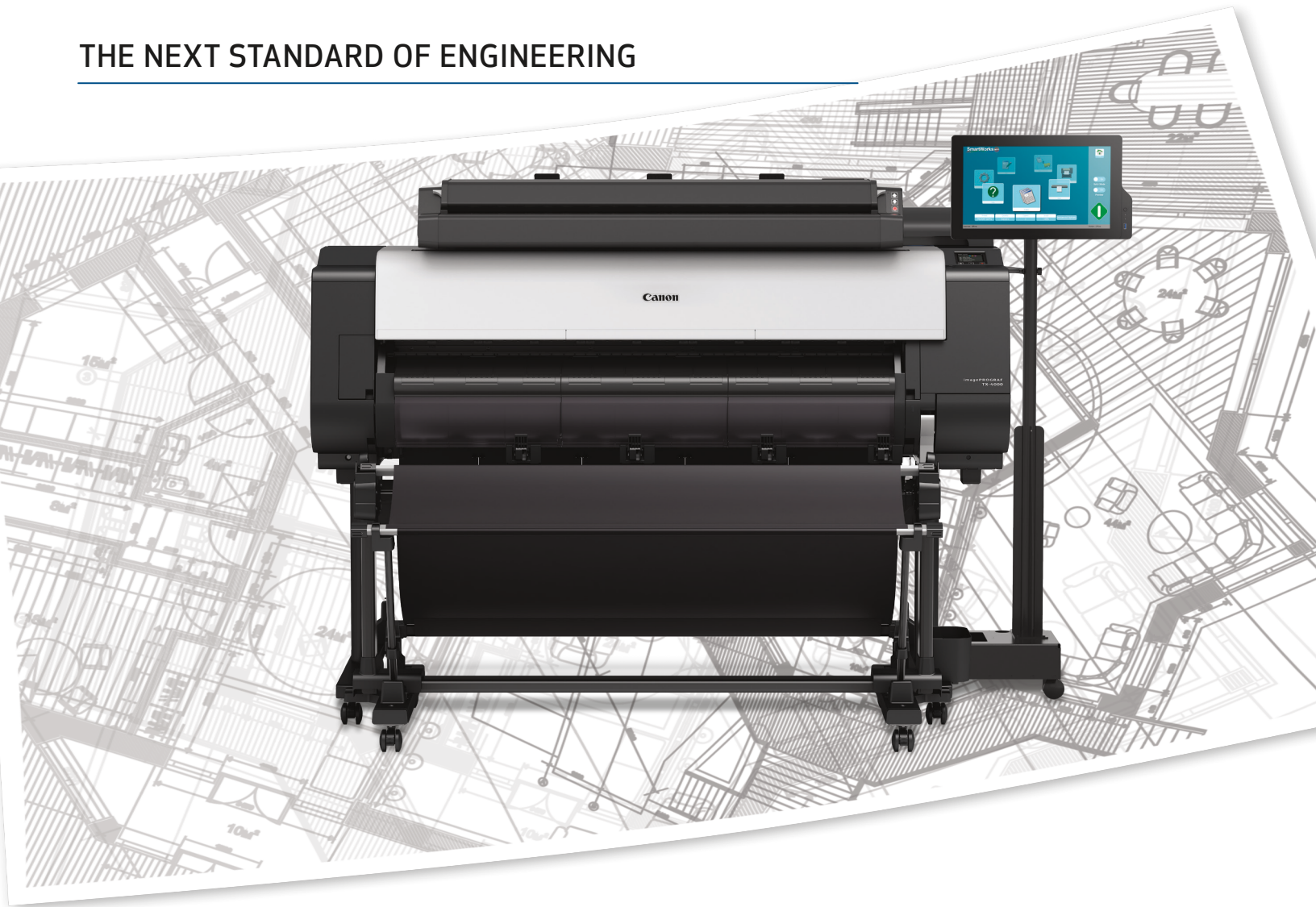


THE NEXT STANDARD OF ENGINEERING



**imagePROGRAF
TX-4000 MFP T36**

imagePROGRAF TX-4000 MFP T36

PRINTER SPECIFICATIONS (see usa.canon.com for full printer specs)

Print Head

PF-06

Number of Nozzles

Matte Black: 5,120 Nozzles

Other Colors: 2,560 Nozzles per Color

Droplet Size

5 Picoliter

Ink Type

Pigment: Matte Black (MBK), Black (BK), Cyan (C), Magenta (M), Yellow (Y)

Ink Tank

Shipped with Printer: PFI-310 (330 ml) MBK, BK, C, M, Y
Replacement: PFI-110 (160 ml), PFI-310 (330 ml), or PFI-710 (700 ml)

Printer RAM

128 GB (Virtual), 2 GB (Physical)

Hard Drive

500 GB

Media Feed

Roll Feed: One Roll, Front-loading, Front Output

Media Width

Roll Feed: 8"-44" (203.2 mm - 1117.6 mm)

Cut Sheet: 8"-44" (203.2 mm - 1117.6 mm)

Media Cutter

Durable Dual-Blade Rotary Cutter

Media Thickness

0.07 - 0.8 mm

Media Core Sizes

2" and 3" Core Adapters Included

Maximum Roll Outer Diameter

6.7" (170 mm)

Media Output

TX Stacker (Standard)

Printing Software Utilities

Accounting Manager, Apple AirPrint,† Canon Print Service, Device Management Console, Direct Print & Share, Free Layout Tool, imagePROGRAF Printer Driver for Windows®/Mac®, Media Configuration Tool, PosterArtist Lite for Windows, Printer Driver Extra Kit for Windows/Mac (Free Print Utility Layout, Advanced Preview), Optimized Driver for AutoCAD, Print Plug-in for Microsoft® Word/Excel/PowerPoint® for Windows, Quick Utility Toolbox

Operating System

Windows 7 (32/64 bit), Windows 8.1 (32/64 bit), Windows 10 (32/64 bit), Windows Server 2008 R2, (64 bit), Windows Server 2012 (64 bit), Windows Server 2012 R2 (64 bit), Windows Server 2016 (64 bit), Macintosh OS X v10.10.5-v10.12x

Print Language

Printer: SGRaster, HP-GL/2, HP RTL, PDF, JPEG

Interface

Standard (Built-in): USB 2.0 Hi-Speed, 10/100/1000Base-T/TX, Wireless LAN (IEEE 802.11 b/g/n)■
Direct USB Thumb Drive Printing

Power Supply

AC 100-240V (50-60 Hz)

Power Consumption

Maximum: 107W or Less

Standby: 3.6 W or Less

Power Off: 0.3 W or Less (Executive Order Compliant)

Certifications

Electrical Safety Regulations

C TUVus (U.S.A.), C TUVus (Canada)

Electromagnetic Interface Regulations

FCC Part 15B (U.S.A.), IC (Canada)

Radio Regulations

FCC Part 15C (U.S.A.), IC (Canada)

Environmental Certifications

ENERGY STAR® (Worldwide)

Operational Environment

Temperature: 59° - 86° F (15° - 30° C)

Relative Humidity: 10 - 80% (Non Condensation)

Printer Dimensions (H x W x D) and Weight

(With Stacker Opened)

46.0" x 62.7" x 46.8" Approx. 277 lb.

Package Dimensions (H x W x D) and Weight With Stand and Pallet

41.8" x 71.7" x 36.0" Approx. 364 lb.

Stacker

11.5" x 57.6" x 35.7" Approx. 55 lb.

Roll Unit

18.1" x 68.0" x 22.1" Approx. 66 lb.

Options

- Multifunction Roll System (RU-42)
- 2"/3" Roll Holder Set (RH2-45)
- PosterArtist

User-Replaceable Items

- Ink Tank (PFI-110/PFI-310/PFI-710)
- Print Head (PF-06)
- Maintenance Cartridge (MC-30)
- Cutter Blade (CT-07)

What's In The Box

Printer, TX Stacker, Stand, 2"/3" Core Media Spool (Adapters Included), Power Cord, Tools and Screws, Print Head, Maintenance Cartridge (Installed), 5 Ink Tanks (330 ml: MBK/BK/C/M/Y), Sample Heavyweight Coated Paper (A2/5 sheets), Ethernet Card (built-in), USB 2.0 High-speed Interface, USB Connection Sheet, iWR Service Terms Leaflet, User Manual, Quick Setup Guide, User Software CD for Windows (Printer Driver Utilities), PosterArtist Lite CD, User Registration Card

T36 SCANNER SPECIFICATIONS

Scan Speed**

- 48-bit Full Color @ 200 dpi: 6" (per second)
- 16-bit Grayscale and Monochrome @ 200 dpi: 13" (per second)

Scan Modes

- 16.7-million Color RGB (24-bit)
- 256-level Grayscale (8-bit)
- Black and White (1-bit)

Color Space

sRGB

Maximum Resolution

1200 dpi (optical)

Scan Accuracy*

+/- 0.1% ; +/- 1 pixel

Maximum Scan Width

36"

Maximum Media Width

38"

Maximum Scan Length

315" (JPEG/PDF), 598" (TIFF)

Maximum Media Thickness

0.079" (2 mm)

Media Feed System

Adaptive CIS media focus management and media guide mechanism; intuitive face-up, front-loading, and front/rear-exit media path; automatic media size detection with optical media sensors

Digital Imaging Technology

Contact Image Sensor (CIS) Technology (SingleSensor Assembly)

- 48-bit RGB digital color image capture
- 16-bit grayscale image capture
- Panchromatic monochrome and black and white
- Bi-directional extra long-life LED light system for optimum object illumination and instant-on scanning capability

Digital Image Processing

- 2D Intelligent Adaptive Thresholding (IAT) (1-bit mode)
- Fixed Threshold Black and White (1-bit mode)

User Status and One-Touch Operation

Right-side mounted control panel; walk-up operation and user selection of stop, forward and rewind, scan, copy, or copy and archive

Included Software

- SmartWorks MFP Scan-to-Copy/File/Email with Real-time Image Viewer; supports TIFF, JPEG, TIFF G4, and PDF

Operating System

Windows 10 Enterprise LTSB (x64)

Scanner Interface Kit

Superspeed USB 3.0 (PC Connector Compatible with USB 2.0 and USB 3.0 sockets)

Operating Environments

10 - 35°C, 35-80% RH, Non-condensing

External Power Supply

100-240 VAC Autosensing +/- 10%, 50-60Hz

Scanner Power Consumption

- 53 Wh (scanning)
- 5 Wh (stand-by)

Compliances

VCCI, CB, CE, FCC, UL, RoHS, ENERGY STAR®

Scanner Dimensions

Height: 6.3"

Width: 43.6"

Depth: 14.4"

Scanner Weight

Approx. 33.1 lb.

MFP Package Dimensions (H x W x D) and Weight With Stand, Pallet, and Scanner

57.3" x 72.0" x 36.0" Approx. 481 lb.

What's In The Box?

- T36 Scanner with Power Cord, USB 3.0 Cable
- Power Supply
- Ethernet Cable
- Stand
- (2) Paper Edge Guides
- (3) Document Return Guides
- All-in-One Touch Screen Computer
- USB Drive with SmartWorks MFP Software, Scanner User Manual, and Quick Start Guide
- Calibration Target
- T36 Scanner Quick Start Guide

† To be supported in 2018 by updating firmware.

■ Wireless printing requires a working network with wireless 802.11b/g or 802.11n capability. Wireless performance may vary based on terrain and distance between the printer and wireless network clients.

■ The scan rate is proportional across the full range of resolutions supported by the scanner. Actual scan times will depend on the host system performance. Quoted top speeds may be limited by the effective bandwidth of the USB 2 and is not guaranteed for all media types.

* The quoted scan accuracy may vary depending on the operating environment and the thickness of the media.

Note: The imagePROGRAF TX Series MFP T36 systems contain multiple components, some of which are manufactured by third parties. To the extent that such third-party offerings come with limited warranties, such limited warranties are hereby passed to the purchaser, and Canon shall have no obligation or any liability with respect to such third-party offerings.

USA.CANON.COM/LARGEFORMAT



Canon and imagePROGRAF are registered trademarks of Canon Inc. in the United States and may also be registered trademarks or trademarks in other countries. All other referenced product names and marks are trademarks of their respective owners. All printer output and screen images are simulated. Specifications and availability subject to change without notice. Not responsible for typographical errors.

©2018 Canon U.S.A., Inc. All rights reserved.

0418RI-TX4000MFP T36SS-PDF-IH

